

ACCESSORIES FOR HYDRAULIC EXPANSION SYSTEMS

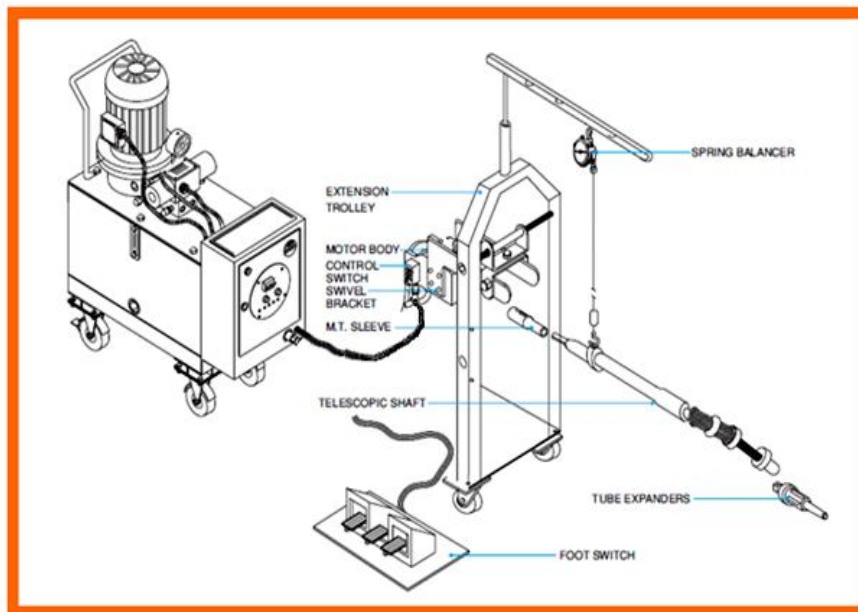


HYDRAULIC DRIVES

Tube Expansion Range				Drive		Drive No Load Speed (RPM)	Drive Weight Kgs.
Steel Tube O.D.		Copper Tube O.D.		Model No.	Square Socket inch	With HEP-300/500/1000	
mm	inch	mm	inch				
15 - 25	5/8 - 1	25 - 38	1-1.1/2	HED-3	3/8	620/954/800	9.6
19 - 38	3/4 - 1.1/2	32 - 64	1.1/4-2.1/2	HED-4	3/8 & 1/2	350/480/400	9.7
38 - 76	1.1/2 - 3	50 - 102	2-4	HED-5	1/2 & 3/4	62/84/70	11.0
50 - 102	2 - 4	-	-	HED-6	3/4 & 1	40/62/54	11.5

Note : Drive supplied with FORWARD, STOP, REVERSE, AUTO BUTTONS, QUICK RELEASE COUPLINGS, SOCKETS and REACTION BAR. Powerpack includes 2 hoses each of length 10 meters. If required longer hoses can be supplied.

ACCESSORIES FOR HYDRAULIC EXPANSION SYSTEM.



- Extension Trolley-** Optional detachable Trolley suitable for HEP 500, used when the system is intended to be operated with Telescopic Shaft assembly and Foot Switch.
- Motor Body –** The steel body which envelops the hydraulic motor.
- Control Switch –** Detachable wired or wireless Handset with FWD- STOP- REV Switches to control the drive operation.
- Swivel Bracket -** The bracket assembly use to attach the hydraulic drive to the trolley.
- MT Sleeve –** The socket to couple the telescopic shaft and hydraulic drive.
- Telescopic Shaft –** To be used with the trolley for easy and comfortable operation while expanding tubes.
- Foot Switch -** Alternative control switches to control the drive operation if operator intends to operate the drive with foot.
- Spring Balancer –** Used to suspend the telescopic shaft to the trolley and counter its weight by spring tension.